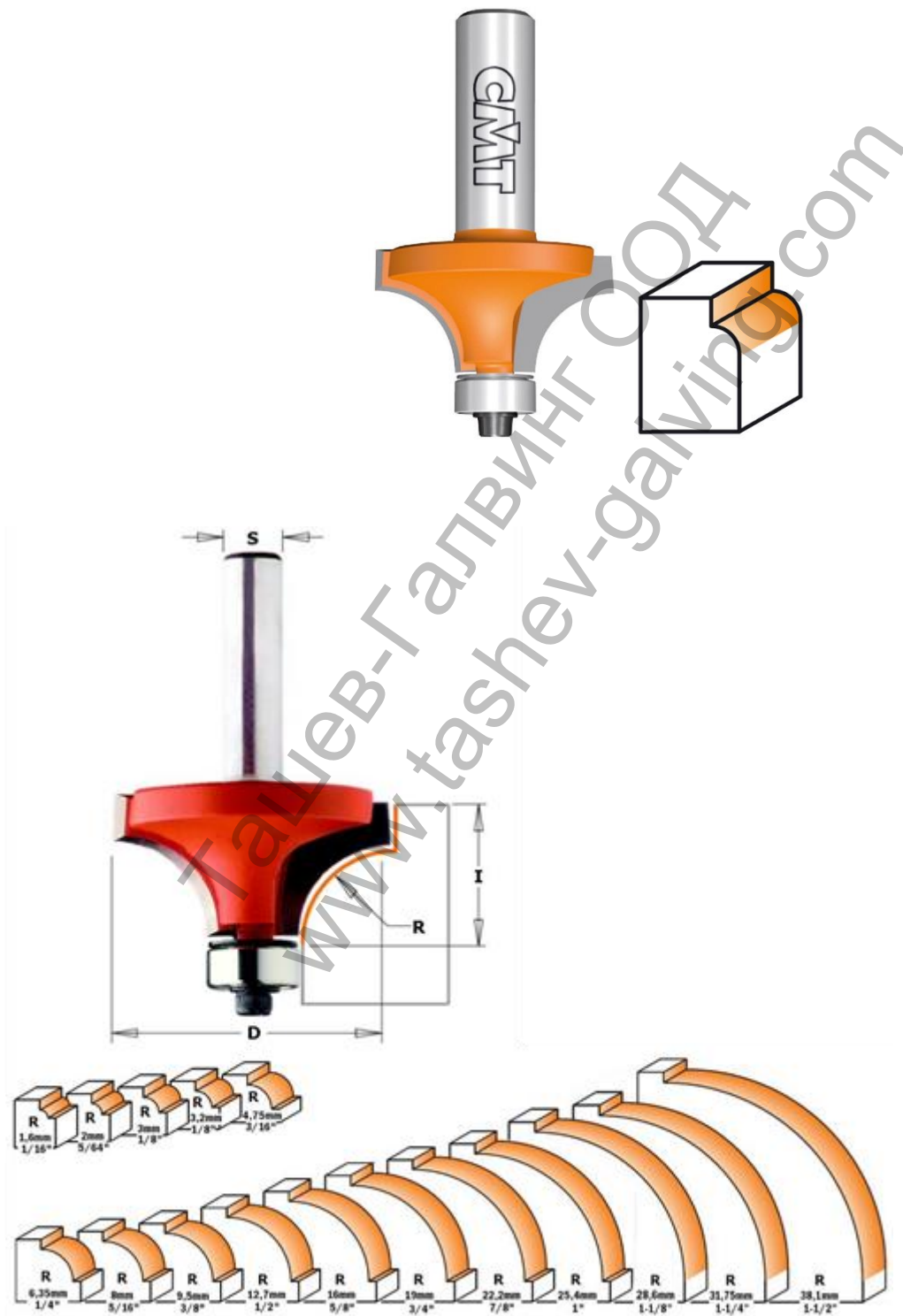


Фрезер СМТ за дърво профилен за изпъкнал заоблен профил, с лагер ф 18.7x12.7/54 мм, ф 6 мм, R 3 мм, 7/8/938



BE SURE to keep the black bearing washer right side up to correspond with the bearing rotation when reassembling the bearing. Improper reassembly can cause the bit to unscrew. All CMT roundover bits have a 12,7mm bearing diameter with the exception of the radius 28,6mm and 31,7mm bits which have a 19mm bearing diameter. You have 13 different radii to choose from, the majority having 5 shank diameter options. All bits are made of Fatigue Proof® steel and have carbide-tipped cutting edges.

Shop Tips: The CMT 1.6mm radius roundover bit is excellent for finishing laminates. Virtually eliminates the filing required when using conventional trim bits.

Safety Tips: Use caution when working with large diameter bits and make more than one pass to gradually remove stock. Pay particular attention when routing small pieces; and always rout on a router table equipped with a fence.

*Use only on router table



Tungsten carbide tipped



Two cutting edges



Right-hand rotation



Anti-kickback design



Tool with bearing

R mm	D mm	I mm	ORDER NO. S=Ø6mm	ORDER NO. S=Ø6,35mm	ORDER NO. S=Ø8mm	ORDER NO. S=Ø12mm	ORDER NO. S=Ø12,7mm
1,6	15,9	12,7	738.160.11	838.160.11	938.160.11		
2	16,7	12,7	738.167.11		938.167.11		
3	18,7	12,7	738.187.11		938.187.11		
3,2	19,1	12,7	738.190.11	838.190.11	938.190.11		
4,75	22,2	12,7	738.222.11	838.222.11	938.222.11		
6,35	25,4	12,7	738.254.11	838.254.11	938.254.11	938.754.11	838.754.11
8	28,6	12,7	738.285.11	838.285.11	938.285.11		
9,5	31,7	14	738.317.11	838.317.11	938.317.11	938.817.11	838.817.11
12,7	38,1	19	738.380.11	838.380.11	938.380.11	938.880.11	838.880.11
16	44,5	22		838.445.11	938.445.11	938.945.11	838.945.11
19	50,8	25,4				938.990.11	838.990.11
22,2	57,1	28,5				938.991.11	838.991.11
25,4	63,5	33,3				938.992.11*	838.992.11*
28,6	76,2	38,1				938.993.11*	838.993.11*
31,75	82,5	44,4				938.994.11*	838.994.11*
38,1	88,9	44,4				938.996.11*	838.996.11*

*Use only on router table

Продукт: [Фрезер CMT за дърво профилен за изпъкнал заоблен профил, с лагер ф 18.7x12.7/54 мм, ф 6 мм, R 3 мм, 7/8/938](#)

Категория: [Консумативи за фрези и обертфрези](#)

Бранд: [CMT](#)

Категория бранд: [Фрезер CMT](#)